

OUTDOOR INTELLIGENCE TRIPLE TECHNOLOGY INTRUDER DETECTOR



This product complies with standards of People's Republic of China: GB10408.1-2000 and GB10408.6-91

The product is a triple technology detector composed by microwave, passive infrared and artificial intelligence, and it works based on detecting human body's infrared spectrum and microwave Doppler effect. The product uses special optical filter and advanced signal analysis and process technology, it is provided with waterproof function, being suitable for outdoor usage. The product can be applied on banks, warehouses and homes etc.

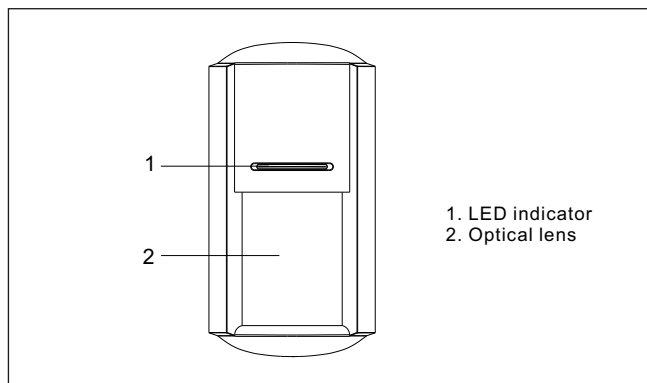
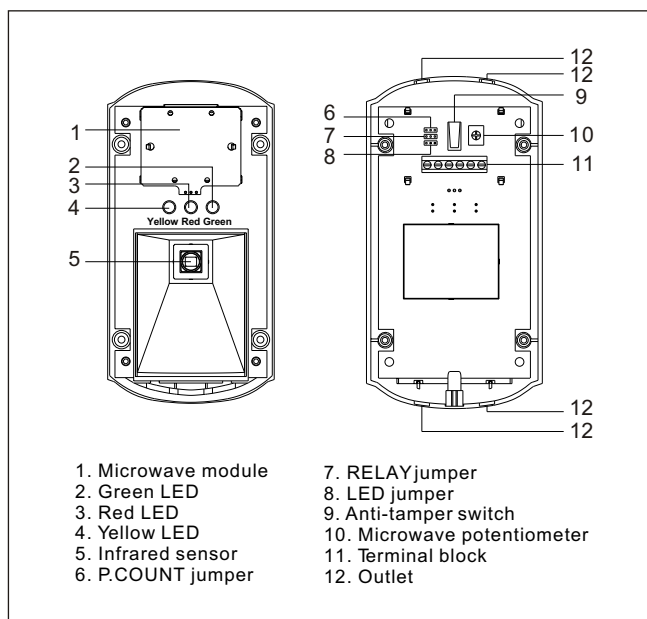
FEATURES

- MCU processing
- Pulse count optional
- Special optical filterlens, white light immunity at 10000lux
- Waterproof function for outdoor environment
- Insect immunity
- Using Doppler effect and energy analysis
- Microwave using X-Band patch antenna
- Microwave detection range adjustable
- Temperature auto-compensation, avoiding false alarm
- Alarm output N.C./N.O. optional, suitable for different alarm system
- Differ intruder signal from interference signal by intelligence technology
- Pet below 20kg immunity

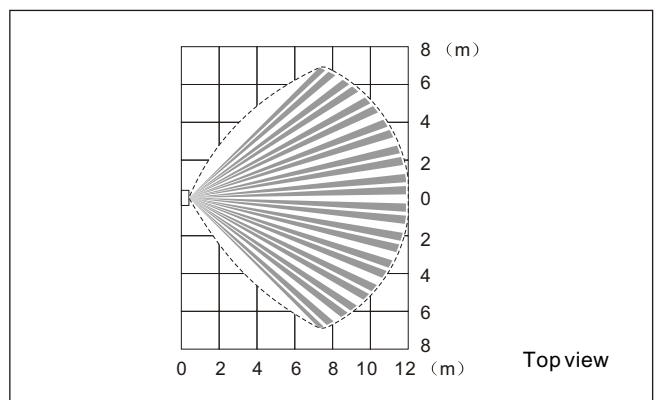
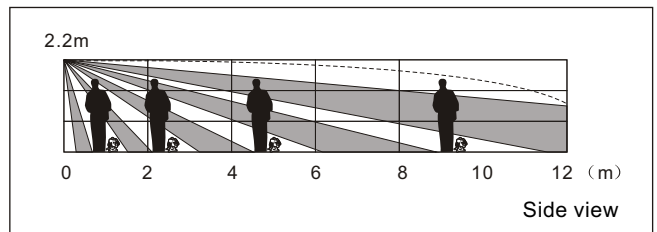
TECHNICAL PARAMETERS

Working voltage	9~16VDC
Working current	≤30mA (DC 12V)
Detection range	12m×12m
Detection angle	110°
Infrared sensor	Dual element low noise pyroelectric infrared sensor
Microwave antenna type	Patch antenna by GaAs FET dielectric oscillator
Microwave frequency	10.525GHz
Warm-up time	≤60 sec
LED indicator	Green: infrared triggering Yellow: microwave triggering Red: alarm
Installation	Wall hanging
Installation height	Optimal height 2.2m
Operating temperature	-40℃~+70℃
Relay output	N.C./N.O. optional, contact rating 28VDC, 80mA
Anti-tamper	N.C., no voltage output, contact rating 28VDC, 100mA
Size	153mm×80mm×58mm

GENERAL VIEW



DETECTING RANGE FIGURES



USAGE

1. Connect 12V DC power, three indicators flashing, and detector enters self-checking status, self-checking time is about 60 seconds; indicators stop flashing, which means detector enters normal monitoring status.
2. Testing by normal walk speed in detection range, at this time relevant indicator flashing. Green indicator is on, indicating infrared triggering; yellow indicator is on, indicating microwave triggering; red indicator is on, indicating infrared and microwave triggering together and detector enters alarm status.

- LED jumper controls LED indicator to indicate or not, and it does not effect normal work of detector. LED indicator is on in factory setting.
- Microwave potentiometer is used to adjust microwave detection range, user can adjust according to requirement. Set maximal detection range in factory setting.
- P.COUNT jumper JP1(1P/2P) is sensitivity jumper, 1P(1&2) is high sensitivity, supplying maximal detection range; 2P(2&3) is normal sensitivity, supplying maximal anti-interference capability. Set 1P in factory setting.
- RELAY jumper JP2(N.C./N.O.) is output relay jumper, used to set alarm output status, choosing different output according to different type of security system. Choose N.C.(1&2) for normal closed status; choose N.O.(2&3) for normal open status. Set N.C. in factory setting.

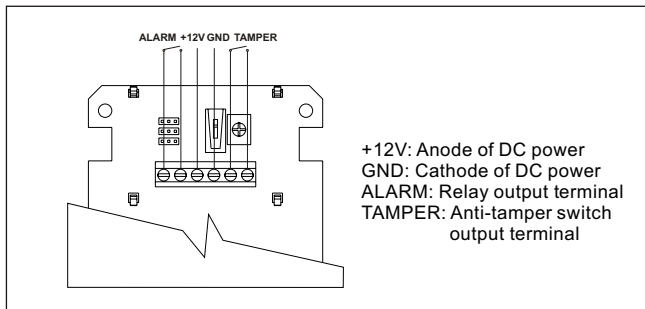
INSTALLATION LOCATION AND NOTICES

- Do not install detector in the place as followed:
 - ★ The area where vehicle pass through
 - ★ The position easy to be blown by wind ,such as swing sign, tree etc.
- Avoid proximity to objects which is easy to cause temperature change.
- Avoid any object in front of the lens of detector.
- Confirm installation place steadily and no shake.
- Connect power after finishing all wire connection and checking.
- Do not put redundant wires in detector.

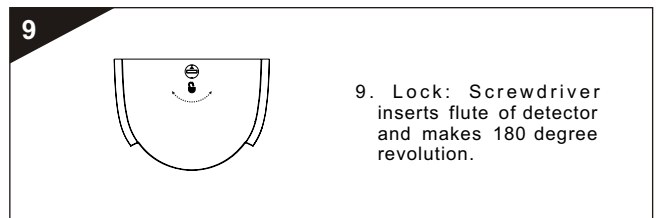
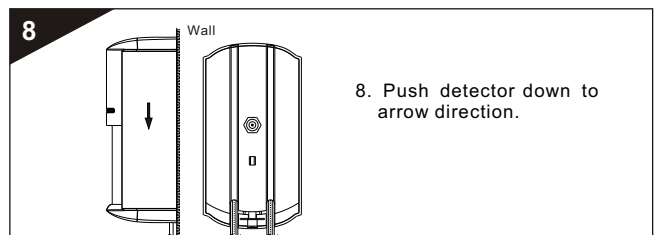
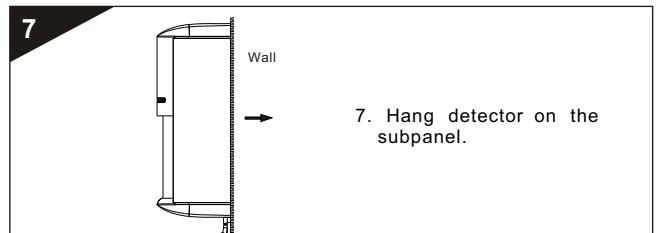
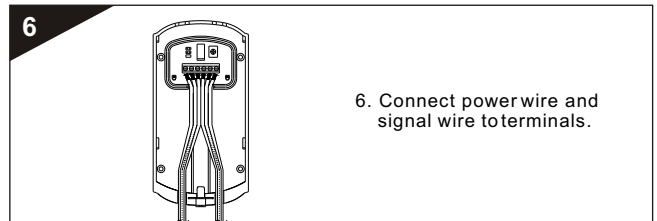
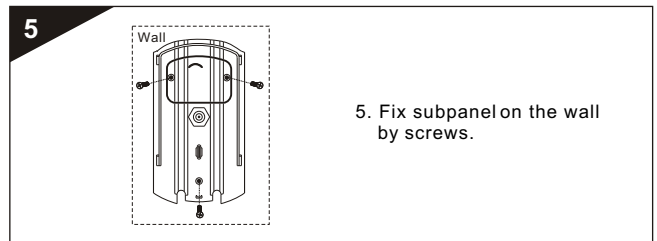
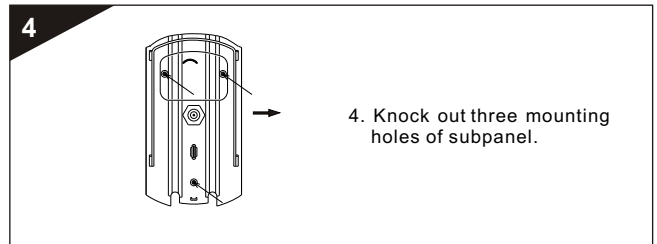
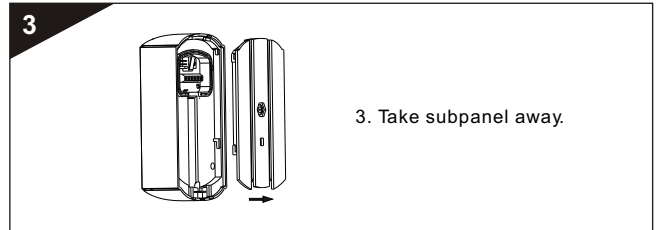
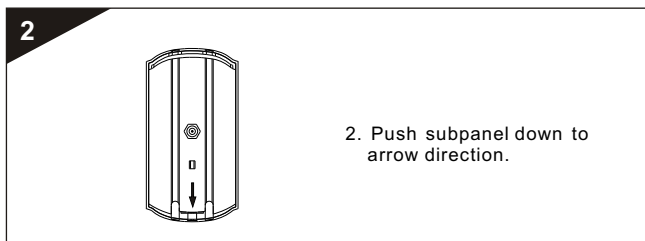
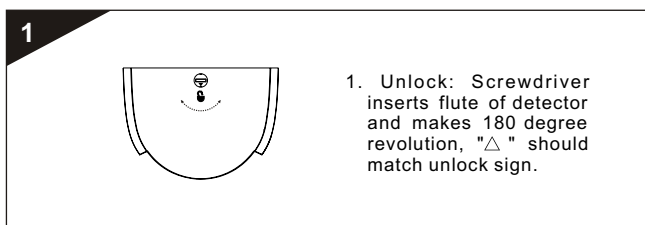
INSTALLATION

- Select a position where intruder is prone to pass through, optimal installation height is 2.2m.
- When opening detector, open the locked cam by screwdriver, slip subpanel down, then take subpanel away from cover plate.
- Fix subpanel on the selected position by screws, wire connection according to terminal block figure. Notice waterproof carrier ring, the direction of wire outlet is down, and we suggest you use 22AWG(0.8mm) wire.
- Slip detector on the subpanel until finishing all wires connection with detector.
- Fix the detector by 180 degree revolution of cam on subpanel.
- we suggest you use set swinging to increase detection range.

TERMINAL BLOCK FIGURE



INSTALLATION FIGURES



NOTICES

- Please mount and use according to this manual, do not touch the surface of infrared sensor, if detector need to be cleaned, use soft cloth with alcohol to clean after turning off power.
- Yearly testing is required to ensure proper operation of this detector.
- Though this product can reduce accident, it do not ensure perfectly safe. For your security, you should enhance security consciousness in daily life besides using this product.